

| | | | | | |
|-------------|--|-----------|--|------|--|
| Project | | Catalog # | | Type | |
| Prepared by | | Notes | | Date | |



Interactive Menu

- Ordering Information [page 2](#)
- Product Specifications [page 2](#)
- Energy and Performance Data [page 3](#)

Streetworks

UTLD Traditionaire

Decorative Post Top Luminaire

Product Certifications & Features



Product Specifications

OPTICAL

- Choice of five patented, high-efficiency AccuLED Optic technology manufactured from injection-molded acrylic.
- Optics are precisely designed to shape the light output, maximizing efficiency and application spacing.
- AccuLED Optic technology creates consistent distributions with the scalability to meet customized application requirements.
- Optional 2700K, 3000K, 4000K and 5000K CCT. For the ultimate level of spill light control, an optional house-side shield accessory can be field, or factory installed.
- Optics are IP66 enclosure rated.
- Offered open sided as a standard with four lens options.

ELECTRICAL

- 120-277V 50/60Hz operation. 347V and 480V options available
- 10kV and 20kV surge protection options with series or parallel configurations
- 0-10V dimming standard
- Ambient operating temperature from -40°C to 40°C
- Standard three-position tunnel type compression terminal block

PHYSICAL CHARACTERISTICS

- Hinged (stainless steel hinge pins) die-cast aluminum housing and cover with cupola.
- Self-aligning pole-top fitter for 3" O.D. pole tops or vertical tenons.
- Square headed 1-1/4" polymer coated mounting bolts with a lock nut.
- Cast components finished in a super TGIC polyester powder coat paint, 2.5 mil nominal thickness for superior protection against fade and wear.
- Optional colors include bronze, grey and white. RAL and custom color matches available.

CONTROLS

- 3- and 7-pin photocell receptacle options
- Field Adjustable Dimming Control option for manual adjustment of power consumption and lumen output. Factory preset to highest output level

COMPLIANCE

- UL wet location rated
- Configurations available that meet DLC and DLC Premium requirements, submission in progress - visit www.designlights.org to confirm listed variants
- BAA domestic preference option meets BAA requirements. See [DOMESTIC PREFERENCES](http://www.designlights.org) website or consult the CLS Domestic Preferences team for more information
- FHWA and FTA agencies are utilizing their BAA rules for BABA compliance. Cooper's products with a BAA designation are manufactured in the US and utilize a BAA COTS exemption rule for compliance. To verify a configured product with specific accessories and options meet BABA Domestic Preference Requirements; submit this catalog number to Cooper Lighting Quotation team for validation by our Engineering and Manufacturing teams. Please refer to the [DOMESTIC PREFERENCES](http://www.designlights.org) website or consult the CLS Domestic Preferences team for more information. Components shipped separately may be separately analyzed under domestic preference requirements

SHIPPING DATA

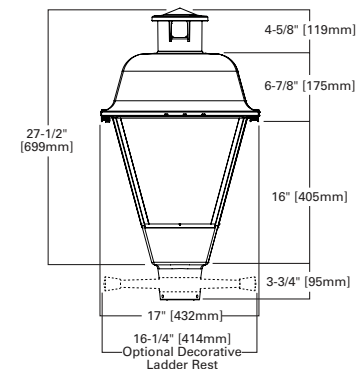
- Approximate Net Weight: 37 lbs. (17 kgs.)
- Effective Projected Area: 2.3 (Sq. Ft.)

WARRANTY

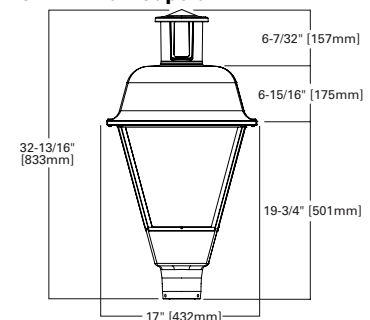
- Five-year limited warranty. Consult website for details. www.cooperlighting.com/legal

Dimensional Details

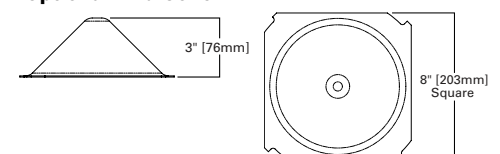
UTLD



UTLD - Tall Cupola



Optional Bird Cone



Ordering Information

SAMPLE NUMBER: **UTLD-PA1-100-740-U-T2U-CL-BK**

| Product Family ¹ | Configuration | Wattage Bucket | Color Temperature | Voltage | Distribution | Lens | Finish |
|---|---|--|---|---|---|--|--|
| UTLD =Traditionaire™ LED Downlight BAA-UTLD =Traditionaire LED Downlight Buy American Act Compliant ¹³ TAA-UTLD =Traditionaire LED Downlight Trade Agreements Act Compliant ¹³ BABA-UTLD =Traditionaire LED Downlight Build America Buy America Act Compliant ¹³ | PA1 =Direct Mount Rectangle (24 LED) | 20 =20W ² 30 =30W 40 =40W 50 =50W 60 =60W 70 =70W 80 =80W 90 =90W 100 =100W | 740 =70CRI, 4000K 727 =70CRI, 2700K ⁶ 827 =80CRI, 2700K ⁶ 730 =70CRI, 3000K ⁶ 750 =70CRI, 5000K ⁶ AMB =Amber 590nm ¹⁵ | U =Universal (120-277V) 2 =120V ² 8 =480V ^{4,5} 9 =347V ⁵ PV = 12v/24v DC/DC enabled solar driver ^{16, 17, 18} | T2U =Type II Urban T3 =Type III T4W =Type IV Wide 5WQ =Type V Square Wide SL3 =Type III w/ Spill Control | [Blank] =Open (No Lens) A =Refractive Lens Panels ⁹ CL =Clear Lens Panel ⁹ FP =Frosted Lens Panel ⁹ TL =Textured Lens Panel ⁹ | BK =Black AP =Grey BZ =Bronze WH =White |
| Options (Add as Suffix) | | Controls | | Accessories (Order Separately) ¹⁴ | | | |
| 10K =Series 10kV UL 1449 Surge Protective Device 20K =Series 20kV UL 1449 Surge Protective Device 20KI =Series 20kV UL 1449 Surge Protective Device with light indicator 20MSP =Parallel 20kV MOV Surge Protection Device 10MSP =10kV MOV Surge Protection Device HA =50°C High Ambient Temperature ⁸ W =20" #10 Input Leads S =Snap Latches for Tool-less Light Replacement J =Factory Installed Ladder Rest BC =Bird Cone ⁹ HSS =Factory Install UTLD House Side Shield ¹⁰ TC =Tall Cupola ¹¹ PSC =Photocontrol Shorting Cap NPC =NEMA Photocontrol - Multi-Tap LLPC =Longlife Photocontrol Included CC =Coastal construction finish ¹² Dxxxxx =DOT Configuration - Contact Quotes Team Uxxxxx =Utility Configuration - Contact Quotes Team | | 5LTD =DALI ³ PR =NEMA Photocontrol Receptacle ⁷ PR7 =NEMA 7-PIN Twistlock Photocontrol Receptacle FADC =Field Adjustable Dimming Controller ¹⁵ | | TA1BK =Decorative Ladder Rest for Field Installation (Black) OA/RA1013 =Photocontrol Shorting Cap OA/RA1014 =NEMA Photocontrol - 120V OA/RA1016 =NEMA Photocontrol - Multi-Tap OA/RA1027 =NEMA Photocontrol - 480V OA/RA1201 =NEMA Photocontrol - 347V OA1223 =10kV Surge Module Replacement HS-UTLD-24 =Field Installed UTLD House Side Shield for PA1 ¹⁰ VGS-ARCH =Short Vertical Drop Shield VGL-ARCH =Long Vertical Drop Shield | | | |
| NOTES: 1. Customer is responsible for engineering analysis to confirm pole and fixture compatibility for all applications. Refer to our white paper WP513001EN for additional support information. 2. PA1-20 only available in 120V. 3. Only available in universal voltage. Consult your lighting representative at Cooper Lighting Solutions if custom programming is required. Not available with PA1-90, PA1-100. Consult your lighting representative at Cooper Lighting Solutions if greater than PA1-80 (83W) is needed. 4. Only for use with 480V Wye systems. Per NEC, not for use with ungrounded systems, impedance grounded systems or corner grounded systems (commonly known as Three Phase Three Wire Delta, Three Phase High Leg Delta and Three Phase Corner Grounded Delta systems). 5. Not available with SLTD driver. 6. Use dedicated IES files for when performing layouts. These files are published on the UTLD Traditionaire product page on the website. 7. If "PR" selected, dimming functionality not available, dimming leads will be capped. 8. Not available with HSS or SLTD driver. 9. Lens panel and birdcone cannot be ordered together. 10. HSS not available with 5WQ distribution. 11. Use tall cupola to accommodate network control solutions requiring the 7-pin receptacle 12. Coastal construction finish salt spray tested to over 5,000-hours per ASTM B117, with a scribe rating of 9 per ASTM D1654. 13. Only product configurations with these designated prefixes are built to be compliant with the Buy American Act of 1933 (BAA) or Trade Agreements Act of 1979 (TAA), respectively. Please refer to DOMESTIC PREFERENCES website for more information. Components shipped separately may be separately analyzed under domestic preference requirements. 14. Accessories sold separately will be separately analyzed under domestic preference requirements. Consult factory for further information. 15. Narrow-band 590nm +/- 5nm for wildlife and observatory use. Choose drive current A; supplied at 500mA drive current only. Exact luminaire wattage available in IES files. Available with 5WQ, 5MQ, SL2, SL3 and SL4 distributions. Can be used with HSS option. 16. DC/DC drivers receive direct current as an input in 12v or 24v configurations. 17. Controls not compatible with DC/DC drivers. 18. Available in PA1-70, PA1-80, PA1-90, & PA1-100 19. Cannot be used with PR7 or other motion response control options. 20. FHWA and FTA agencies are utilizing their BAA rules for BABA compliance. Cooper's products with a BAA designation are manufactured in the US and utilize a BAA COTS exemption rule for compliance. To verify a configured product with specific accessories and options meet BABA Domestic Preference Requirements; submit this catalog number to Cooper Lighting Quotation team for validation by our Engineering and Manufacturing teams. Please refer to the DOMESTIC PREFERENCES website or consult the CLS Domestic Preferences team for more information. Components shipped separately may be separately analyzed under domestic preference requirements | | | | | | | |

Energy and Performance Data

Power and Lumens (Standard Configuration - No Bird Cone)

| Light Engine * | PA1-20 | PA1-30 | PA1-40 | PA1-50 | PA1-60 | PA1-70 | PA1-80 | PA1-90 | PA1-100 | |
|------------------------------|-----------------|----------|----------|----------|----------|----------|----------|----------|----------|----------|
| Nominal Power (Watts) | 21 | 31 | 40 | 54 | 64 | 74 | 83 | 94 | 96 | |
| Wattage Label | 20 | 30 | 40 | 50 | 60 | 70 | 80 | 90 | 100 | |
| Current @ 120V (A) | 0.18 | 0.26 | 0.34 | 0.45 | 0.53 | 0.62 | 0.70 | 0.78 | 0.80 | |
| Current @ 277V (A) | -- | 0.12 | 0.15 | 0.21 | 0.24 | 0.28 | 0.31 | 0.35 | 0.35 | |
| Current @ 347V (A) | -- | 0.10 | 0.13 | 0.16 | 0.19 | 0.22 | 0.24 | 0.28 | 0.28 | |
| Current @ 480V (A) | -- | 0.07 | 0.09 | 0.13 | 0.14 | 0.17 | 0.18 | 0.21 | 0.21 | |
| Optics | | | | | | | | | | |
| T2U | 4000K | 2,875 | 4,024 | 5,231 | 6,705 | 7,794 | 8,723 | 9,544 | 10,321 | 10,343 |
| | Lumens per Watt | 137 | 130 | 131 | 124 | 122 | 118 | 115 | 110 | 108 |
| | BUG Rating | B1-U0-G1 | B1-U0-G1 | B2-U0-G2 | B2-U0-G2 | B2-U0-G2 | B2-U0-G2 | B3-U0-G3 | B3-U0-G3 | B3-U0-G3 |
| | 3000K | 2,618 | 3,665 | 4,764 | 6,107 | 7,098 | 7,944 | 8,692 | 9,400 | 9,419 |
| | Lumens per Watt | 125 | 118 | 119 | 113 | 111 | 107 | 105 | 100 | 98 |
| T2U-A | 4000K | 2,461 | 3,444 | 4,476 | 5,740 | 6,672 | 7,466 | 8,168 | 8,834 | 8,853 |
| | Lumens per Watt | 117 | 111 | 112 | 106 | 104 | 101 | 98 | 94 | 92 |
| | BUG Rating | B1-U3-G1 | B1-U3-G1 | B1-U3-G2 | B2-U3-G2 | B2-U4-G2 | B2-U4-G2 | B2-U4-G2 | B2-U4-G2 | B2-U4-G2 |
| | 3000K | 2,241 | 3,136 | 4,077 | 5,227 | 6,076 | 6,798 | 7,438 | 8,045 | 8,063 |
| | Lumens per Watt | 107 | 101 | 102 | 97 | 95 | 92 | 90 | 86 | 84 |
| T2U-CL | 4000K | 2,682 | 3,754 | 4,880 | 6,258 | 7,273 | 8,138 | 8,905 | 9,631 | 9,651 |
| | Lumens per Watt | 128 | 121 | 122 | 116 | 114 | 110 | 107 | 102 | 101 |
| | BUG Rating | B1-U2-G1 | B1-U3-G1 | B2-U3-G2 | B2-U3-G2 | B2-U3-G2 | B3-U3-G3 | B3-U3-G3 | B3-U3-G3 | B3-U3-G3 |
| | 3000K | 2,443 | 3,419 | 4,445 | 5,698 | 6,624 | 7,412 | 8,110 | 8,770 | 8,790 |
| | Lumens per Watt | 116 | 110 | 111 | 106 | 104 | 100 | 98 | 93 | 92 |
| T2U-TL | 4000K | 2,637 | 3,690 | 4,799 | 6,152 | 7,151 | 8,002 | 8,755 | 9,468 | 9,488 |
| | Lumens per Watt | 126 | 119 | 120 | 114 | 112 | 108 | 105 | 101 | 99 |
| | BUG Rating | B1-U3-G1 | B1-U3-G1 | B2-U3-G2 | B2-U3-G2 | B2-U3-G2 | B3-U3-G3 | B3-U3-G3 | B3-U3-G3 | B3-U3-G3 |
| | 3000K | 2,402 | 3,362 | 4,369 | 5,602 | 6,512 | 7,287 | 7,973 | 8,622 | 8,640 |
| | Lumens per Watt | 114 | 108 | 109 | 104 | 102 | 98 | 96 | 92 | 90 |
| T2U-FP | 4000K | 2,458 | 3,441 | 4,473 | 5,736 | 6,668 | 7,460 | 8,164 | 8,828 | 8,847 |
| | Lumens per Watt | 117 | 111 | 112 | 106 | 104 | 101 | 98 | 94 | 92 |
| | BUG Rating | B1-U3-G2 | B1-U3-G2 | B1-U3-G3 | B2-U4-G3 | B2-U4-G3 | B2-U4-G3 | B2-U4-G4 | B2-U4-G4 | B2-U4-G4 |
| | 3000K | 2,240 | 3,134 | 4,075 | 5,224 | 6,072 | 6,795 | 7,434 | 8,039 | 8,056 |
| | Lumens per Watt | 107 | 101 | 102 | 97 | 95 | 92 | 90 | 86 | 84 |
| T2U-HSS | 4000K | 1,949 | 2,728 | 3,547 | 4,546 | 5,285 | 5,914 | 6,471 | 6,998 | 7,013 |
| | Lumens per Watt | 93 | 88 | 89 | 84 | 83 | 80 | 78 | 74 | 73 |
| | BUG Rating | B0-U0-G1 | B0-U0-G1 | B0-U0-G1 | B0-U0-G1 | B0-U0-G1 | B0-U0-G1 | B0-U0-G1 | B0-U0-G1 | B1-U0-G2 |
| | 3000K | 1,775 | 2,485 | 3,230 | 4,141 | 4,813 | 5,386 | 5,893 | 6,374 | 6,387 |
| | Lumens per Watt | 85 | 80 | 81 | 77 | 75 | 73 | 71 | 68 | 67 |
| | BUG Rating | B0-U0-G0 | B1-U0-G1 | B1-U0-G1 | B1-U0-G1 | B1-U0-G1 | B1-U0-G1 | B1-U0-G1 | B1-U0-G1 | B1-U0-G1 |

NOTE: * Photometric data is reported for lower hemisphere only.

Power and Lumens (Standard Configuration - No Lenses or Bird Cone)

| Light Engine * | PA1-20 | PA1-30 | PA1-40 | PA1-50 | PA1-60 | PA1-70 | PA1-80 | PA1-90 | PA1-100 | |
|------------------------------|-----------------|----------|----------|----------|----------|----------|----------|----------|----------|----------|
| Nominal Power (Watts) | 21 | 31 | 40 | 54 | 64 | 74 | 83 | 94 | 96 | |
| Wattage Label | 20 | 30 | 40 | 50 | 60 | 70 | 80 | 90 | 100 | |
| Current @ 120V (A) | 0.18 | 0.26 | 0.34 | 0.45 | 0.53 | 0.62 | 0.70 | 0.78 | 0.80 | |
| Current @ 277V (A) | -- | 0.12 | 0.15 | 0.21 | 0.24 | 0.28 | 0.31 | 0.35 | 0.35 | |
| Current @ 347V (A) | -- | 0.10 | 0.13 | 0.16 | 0.19 | 0.22 | 0.24 | 0.28 | 0.28 | |
| Current @ 480V (A) | -- | 0.07 | 0.09 | 0.13 | 0.14 | 0.17 | 0.18 | 0.21 | 0.21 | |
| Optics | | | | | | | | | | |
| SL3 | 4000K | 2,784 | 3,896 | 5,065 | 6,493 | 7,547 | 8,446 | 9,241 | 9,994 | 10,015 |
| | Lumens per Watt | 133 | 126 | 127 | 120 | 118 | 114 | 111 | 106 | 104 |
| | BUG Rating | B1-U0-G1 | B1-U0-G2 | B1-U0-G2 | B1-U0-G3 | B1-U0-G3 | B1-U0-G3 | B2-U0-G3 | B2-U0-G3 | B2-U0-G3 |
| | 3000K | 2,535 | 3,548 | 4,612 | 5,913 | 6,873 | 7,692 | 8,416 | 9,102 | 9,120 |
| | Lumens per Watt | 121 | 114 | 115 | 110 | 107 | 104 | 101 | 97 | 95 |
| SL3-A | 4000K | 2,320 | 3,247 | 4,219 | 5,410 | 6,288 | 7,037 | 7,699 | 8,326 | 8,344 |
| | Lumens per Watt | 110 | 105 | 105 | 100 | 98 | 95 | 93 | 89 | 87 |
| | BUG Rating | B1-U3-G1 | B1-U3-G2 | B1-U3-G2 | B1-U3-G2 | B1-U3-G3 | B1-U4-G3 | B1-U4-G3 | B1-U4-G3 | B1-U4-G3 |
| | 3000K | 2,112 | 2,956 | 3,842 | 4,926 | 5,726 | 6,408 | 7,011 | 7,583 | 7,599 |
| | Lumens per Watt | 101 | 95 | 96 | 91 | 89 | 87 | 84 | 81 | 79 |
| SL3-CL | 4000K | 2,608 | 3,651 | 4,746 | 6,085 | 7,073 | 7,915 | 8,660 | 9,365 | 9,385 |
| | Lumens per Watt | 124 | 118 | 119 | 113 | 111 | 107 | 104 | 100 | 98 |
| | BUG Rating | B1-U2-G2 | B1-U3-G2 | B1-U3-G2 | B1-U3-G3 | B1-U3-G3 | B2-U3-G3 | B2-U3-G3 | B2-U3-G3 | B2-U3-G3 |
| | 3000K | 2,375 | 3,325 | 4,322 | 5,542 | 6,441 | 7,208 | 7,886 | 8,529 | 8,546 |
| | Lumens per Watt | 113 | 107 | 108 | 103 | 101 | 97 | 95 | 91 | 89 |
| SL3-TL | 4000K | 2,527 | 3,535 | 4,597 | 5,893 | 6,849 | 7,665 | 8,387 | 9,070 | 9,090 |
| | Lumens per Watt | 120 | 114 | 115 | 109 | 107 | 104 | 101 | 96 | 95 |
| | BUG Rating | B1-U3-G2 | B1-U3-G2 | B1-U3-G2 | B1-U3-G3 | B2-U3-G3 | B2-U3-G3 | B2-U3-G3 | B2-U3-G3 | B2-U3-G3 |
| | 3000K | 2,300 | 3,220 | 4,186 | 5,366 | 6,239 | 6,981 | 7,639 | 8,261 | 8,278 |
| | Lumens per Watt | 110 | 104 | 105 | 99 | 97 | 94 | 92 | 88 | 86 |
| SL3-FP | 4000K | 2,344 | 3,282 | 4,265 | 5,470 | 6,359 | 7,114 | 7,784 | 8,419 | 8,437 |
| | Lumens per Watt | 112 | 106 | 107 | 101 | 99 | 96 | 94 | 90 | 88 |
| | BUG Rating | B1-U3-G2 | B1-U3-G3 | B1-U3-G3 | B1-U4-G3 | B1-U4-G4 | B2-U4-G4 | B2-U4-G4 | B2-U4-G4 | B2-U4-G4 |
| | 3000K | 2,136 | 2,989 | 3,885 | 4,980 | 5,790 | 6,479 | 7,089 | 7,667 | 7,683 |
| | Lumens per Watt | 102 | 96 | 97 | 92 | 90 | 88 | 85 | 82 | 80 |
| SL3-HSS | 4000K | 2,305 | 3,226 | 4,194 | 5,376 | 6,250 | 6,994 | 7,652 | 8,276 | 8,293 |
| | Lumens per Watt | 110 | 104 | 105 | 100 | 98 | 95 | 92 | 88 | 86 |
| | BUG Rating | B0-U0-G1 | B0-U0-G1 | B1-U0-G2 | B1-U0-G2 | B1-U0-G2 | B1-U0-G2 | B1-U0-G2 | B1-U0-G2 | B1-U0-G2 |
| | 3000K | 2,099 | 2,938 | 3,820 | 4,896 | 5,692 | 6,369 | 6,969 | 7,537 | 7,552 |
| | Lumens per Watt | 100 | 95 | 96 | 91 | 89 | 86 | 84 | 80 | 79 |
| | BUG Rating | B0-U0-G1 | B0-U0-G1 | B0-U0-G1 | B1-U0-G2 | B1-U0-G2 | B1-U0-G2 | B1-U0-G2 | B1-U0-G2 | B1-U0-G2 |

NOTE: * Photometric data is reported for lower hemisphere only.

Power and Lumens (Standard Configuration - No Lenses or Bird Cone)

| Light Engine * | PA1-20 | PA1-30 | PA1-40 | PA1-50 | PA1-60 | PA1-70 | PA1-80 | PA1-90 | PA1-100 | |
|------------------------------|-----------------|----------|----------|----------|----------|----------|----------|----------|----------|----------|
| Nominal Power (Watts) | 21 | 31 | 40 | 54 | 64 | 74 | 83 | 94 | 96 | |
| Wattage Label | 20 | 30 | 40 | 50 | 60 | 70 | 80 | 90 | 100 | |
| Current @ 120V (A) | 0.18 | 0.26 | 0.34 | 0.45 | 0.53 | 0.62 | 0.70 | 0.78 | 0.80 | |
| Current @ 277V (A) | -- | 0.12 | 0.15 | 0.21 | 0.24 | 0.28 | 0.31 | 0.35 | 0.35 | |
| Current @ 347V (A) | -- | 0.10 | 0.13 | 0.16 | 0.19 | 0.22 | 0.24 | 0.28 | 0.28 | |
| Current @ 480V (A) | -- | 0.07 | 0.09 | 0.13 | 0.14 | 0.17 | 0.18 | 0.21 | 0.21 | |
| Optics | | | | | | | | | | |
| T3 | 4000K | 2,853 | 3,992 | 5,190 | 6,653 | 7,733 | 8,654 | 9,469 | 10,241 | 10,262 |
| | Lumens per Watt | 136 | 129 | 130 | 123 | 121 | 117 | 114 | 109 | 107 |
| | BUG Rating | B1-U0-G1 | B1-U0-G2 | B1-U0-G2 | B1-U0-G2 | B2-U0-G2 | B2-U0-G3 | B2-U0-G3 | B2-U0-G3 | B2-U0-G3 |
| | 3000K | 2,598 | 3,636 | 4,726 | 6,059 | 7,043 | 7,882 | 8,624 | 9,326 | 9,345 |
| | Lumens per Watt | 124 | 117 | 118 | 112 | 110 | 107 | 104 | 99 | 97 |
| T3-A | 4000K | 2,425 | 3,395 | 4,413 | 5,657 | 6,577 | 7,359 | 8,052 | 8,709 | 8,727 |
| | Lumens per Watt | 115 | 110 | 110 | 105 | 103 | 99 | 97 | 93 | 91 |
| | BUG Rating | B1-U3-G1 | B1-U3-G2 | B1-U3-G2 | B1-U3-G2 | B1-U4-G3 | B2-U4-G3 | B2-U4-G3 | B2-U4-G3 | B2-U4-G3 |
| | 3000K | 2,209 | 3,091 | 4,019 | 5,152 | 5,989 | 6,702 | 7,332 | 7,931 | 7,947 |
| | Lumens per Watt | 105 | 100 | 100 | 95 | 94 | 91 | 88 | 84 | 83 |
| T3-CL | 4000K | 2,695 | 3,773 | 4,905 | 6,288 | 7,309 | 8,179 | 8,949 | 9,679 | 9,698 |
| | Lumens per Watt | 128 | 122 | 123 | 116 | 114 | 111 | 108 | 103 | 101 |
| | BUG Rating | B1-U2-G2 | B1-U3-G2 | B1-U3-G2 | B2-U3-G3 | B2-U3-G3 | B2-U3-G3 | B2-U3-G3 | B2-U3-G3 | B2-U3-G3 |
| | 3000K | 2,455 | 3,435 | 4,467 | 5,726 | 6,656 | 7,448 | 8,150 | 8,815 | 8,832 |
| | Lumens per Watt | 117 | 111 | 112 | 106 | 104 | 101 | 98 | 94 | 92 |
| T3-TL | 4000K | 2,616 | 3,661 | 4,760 | 6,102 | 7,093 | 7,937 | 8,685 | 9,392 | 9,413 |
| | Lumens per Watt | 125 | 118 | 119 | 113 | 111 | 107 | 105 | 100 | 98 |
| | BUG Rating | B1-U3-G2 | B1-U3-G2 | B1-U3-G2 | B2-U3-G3 | B2-U3-G3 | B2-U3-G3 | B2-U3-G3 | B2-U3-G3 | B2-U3-G3 |
| | 3000K | 2,382 | 3,334 | 4,335 | 5,558 | 6,459 | 7,229 | 7,909 | 8,554 | 8,572 |
| | Lumens per Watt | 113 | 108 | 108 | 103 | 101 | 98 | 95 | 91 | 89 |
| T3-FP | 4000K | 2,430 | 3,401 | 4,420 | 5,668 | 6,588 | 7,372 | 8,066 | 8,723 | 8,742 |
| | Lumens per Watt | 116 | 110 | 111 | 105 | 103 | 100 | 97 | 93 | 91 |
| | BUG Rating | B1-U3-G2 | B1-U3-G3 | B1-U3-G3 | B1-U4-G3 | B2-U4-G3 | B2-U4-G4 | B2-U4-G4 | B2-U4-G4 | B2-U4-G4 |
| | 3000K | 2,213 | 3,097 | 4,026 | 5,161 | 5,999 | 6,714 | 7,345 | 7,945 | 7,961 |
| | Lumens per Watt | 105 | 100 | 101 | 96 | 94 | 91 | 88 | 85 | 83 |
| T3-HSS | 4000K | 2,126 | 2,976 | 3,869 | 4,959 | 5,765 | 6,451 | 7,059 | 7,634 | 7,650 |
| | Lumens per Watt | 101 | 96 | 97 | 92 | 90 | 87 | 85 | 81 | 80 |
| | BUG Rating | B0-U0-G1 | B0-U0-G1 | B0-U0-G1 | B1-U0-G2 | B1-U0-G2 | B1-U0-G2 | B1-U0-G2 | B1-U0-G2 | B1-U0-G2 |
| | 3000K | 1,973 | 2,710 | 3,523 | 4,517 | 5,250 | 5,875 | 6,428 | 6,952 | 6,967 |
| | Lumens per Watt | 94 | 87 | 88 | 84 | 82 | 79 | 77 | 74 | 73 |
| T3-HSS | BUG Rating | B0-U0-G1 | B0-U0-G1 | B0-U0-G1 | B1-U0-G2 | B1-U0-G2 | B1-U0-G2 | B1-U0-G2 | B1-U0-G2 | B1-U0-G2 |

NOTE: * Photometric data is reported for lower hemisphere only.

Power and Lumens (Standard Configuration - No Lenses or Bird Cone)

| Light Engine * | PA1-20 | PA1-30 | PA1-40 | PA1-50 | PA1-60 | PA1-70 | PA1-80 | PA1-90 | PA1-100 | |
|------------------------------|-----------------|----------|----------|----------|----------|----------|----------|----------|----------|----------|
| Nominal Power (Watts) | 21 | 31 | 40 | 54 | 64 | 74 | 83 | 94 | 96 | |
| Wattage Label | 20 | 30 | 40 | 50 | 60 | 70 | 80 | 90 | 100 | |
| Current @ 120V (A) | 0.18 | 0.26 | 0.34 | 0.45 | 0.53 | 0.62 | 0.70 | 0.78 | 0.80 | |
| Current @ 277V (A) | -- | 0.12 | 0.15 | 0.21 | 0.24 | 0.28 | 0.31 | 0.35 | 0.35 | |
| Current @ 347V (A) | -- | 0.10 | 0.13 | 0.16 | 0.19 | 0.22 | 0.24 | 0.28 | 0.28 | |
| Current @ 480V (A) | -- | 0.07 | 0.09 | 0.13 | 0.14 | 0.17 | 0.18 | 0.21 | 0.21 | |
| Optics | | | | | | | | | | |
| T4W | 4000K | 2,856 | 3,997 | 5,196 | 6,660 | 7,742 | 8,664 | 9,480 | 10,253 | 10,274 |
| | Lumens per Watt | 136 | 129 | 130 | 123 | 121 | 117 | 114 | 109 | 107 |
| | BUG Rating | B1-U0-G1 | B1-U0-G2 | B1-U0-G2 | B1-U0-G2 | B2-U0-G3 | B2-U0-G3 | B2-U0-G3 | B2-U0-G3 | B2-U0-G3 |
| | 3000K | 2,601 | 3,640 | 4,732 | 6,066 | 7,051 | 7,891 | 8,634 | 9,337 | 9,356 |
| | Lumens per Watt | 124 | 117 | 118 | 112 | 110 | 107 | 104 | 99 | 97 |
| | BUG Rating | B1-U0-G1 | B1-U0-G2 | B1-U0-G2 | B1-U0-G2 | B2-U0-G2 | B2-U0-G3 | B2-U0-G3 | B2-U0-G3 | B2-U0-G3 |
| T4W-A | 4000K | 2,388 | 3,343 | 4,346 | 5,572 | 6,476 | 7,247 | 7,929 | 8,576 | 8,594 |
| | Lumens per Watt | 114 | 108 | 109 | 103 | 101 | 98 | 96 | 91 | 90 |
| | BUG Rating | B1-U3-G2 | B1-U3-G2 | B1-U3-G2 | B1-U3-G3 | B1-U4-G3 | B2-U4-G3 | B2-U4-G3 | B2-U4-G3 | B2-U4-G3 |
| | 3000K | 2,175 | 3,044 | 3,958 | 5,073 | 5,899 | 6,600 | 7,221 | 7,809 | 7,827 |
| | Lumens per Watt | 104 | 98 | 99 | 94 | 92 | 89 | 87 | 83 | 82 |
| | BUG Rating | B1-U3-G1 | B1-U3-G2 | B1-U3-G2 | B1-U3-G2 | B1-U3-G3 | B1-U4-G3 | B1-U4-G3 | B1-U4-G3 | B1-U4-G3 |
| T4W-CL | 4000K | 2,684 | 3,758 | 4,885 | 6,262 | 7,280 | 8,145 | 7,913 | 9,639 | 9,660 |
| | Lumens per Watt | 128 | 121 | 122 | 116 | 114 | 110 | 95 | 103 | 101 |
| | BUG Rating | B1-U3-G2 | B1-U3-G2 | B1-U3-G2 | B2-U3-G3 | B2-U3-G3 | B2-U3-G3 | B2-U3-G3 | B2-U3-G3 | B2-U3-G3 |
| | 3000K | 2,445 | 3,422 | 4,449 | 5,703 | 6,629 | 7,418 | 8,118 | 8,779 | 8,797 |
| | Lumens per Watt | 116 | 110 | 111 | 106 | 104 | 100 | 98 | 93 | 92 |
| | BUG Rating | B1-U2-G2 | B1-U3-G2 | B1-U3-G2 | B1-U3-G3 | B2-U3-G3 | B2-U3-G3 | B2-U3-G3 | B2-U3-G3 | B2-U3-G3 |
| T4W-TL | 4000K | 2,595 | 3,631 | 4,721 | 6,053 | 7,036 | 7,873 | 8,615 | 9,316 | 9,336 |
| | Lumens per Watt | 124 | 117 | 118 | 112 | 110 | 106 | 104 | 99 | 97 |
| | BUG Rating | B1-U3-G2 | B1-U3-G2 | B1-U3-G2 | B2-U3-G3 | B2-U3-G3 | B2-U3-G3 | B2-U3-G3 | B2-U3-G3 | B2-U3-G3 |
| | 3000K | 2,363 | 3,306 | 4,300 | 5,513 | 6,407 | 7,170 | 7,845 | 8,485 | 8,502 |
| | Lumens per Watt | 113 | 107 | 108 | 102 | 100 | 97 | 95 | 90 | 89 |
| | BUG Rating | B1-U3-G2 | B1-U3-G2 | B1-U3-G2 | B1-U3-G3 | B2-U3-G3 | B2-U3-G3 | B2-U3-G3 | B2-U3-G3 | B2-U3-G3 |
| T4W-FP | 4000K | 2,414 | 3,377 | 4,391 | 5,629 | 6,542 | 7,322 | 8,012 | 8,663 | 8,683 |
| | Lumens per Watt | 115 | 109 | 110 | 104 | 102 | 99 | 97 | 92 | 90 |
| | BUG Rating | B1-U3-G2 | B1-U3-G3 | B1-U3-G3 | B1-U4-G3 | B2-U4-G4 | B2-U4-G4 | B2-U4-G4 | B2-U4-G4 | B2-U4-G4 |
| | 3000K | 2,197 | 3,076 | 3,999 | 5,126 | 5,958 | 6,667 | 7,296 | 7,890 | 7,907 |
| | Lumens per Watt | 105 | 99 | 100 | 95 | 93 | 90 | 88 | 84 | 82 |
| | BUG Rating | B1-U3-G2 | B1-U3-G3 | B1-U3-G3 | B1-U4-G3 | B2-U4-G3 | B2-U4-G4 | B2-U4-G4 | B2-U4-G4 | B2-U4-G4 |
| T4W-HSS | 4000K | 2,092 | 2,928 | 3,806 | 4,879 | 5,671 | 6,347 | 6,944 | 7,510 | 7,525 |
| | Lumens per Watt | 100 | 94 | 95 | 90 | 89 | 86 | 84 | 80 | 78 |
| | BUG Rating | B0-U0-G1 | B0-U0-G1 | B0-U0-G2 | B1-U0-G2 | B1-U0-G2 | B1-U0-G2 | B1-U0-G2 | B1-U0-G2 | B1-U0-G2 |
| | 3000K | 1,905 | 2,666 | 3,466 | 4,443 | 5,165 | 5,780 | 6,324 | 6,840 | 6,854 |
| | Lumens per Watt | 91 | 86 | 87 | 82 | 81 | 78 | 76 | 73 | 71 |
| | BUG Rating | B0-U0-G1 | B0-U0-G1 | B0-U0-G1 | B1-U0-G2 | B1-U0-G2 | B1-U0-G2 | B1-U0-G2 | B1-U0-G2 | B1-U0-G2 |

NOTE: * Photometric data is reported for lower hemisphere only.

Power and Lumens (Standard Configuration - No Lenses or Bird Cone)

| Light Engine * | | PA1-20 | PA1-30 | PA1-40 | PA1-50 | PA1-60 | PA1-70 | PA1-80 | PA1-90 | PA1-100 |
|------------------------------|-----------------|----------|----------|----------|----------|----------|----------|----------|----------|----------|
| Nominal Power (Watts) | | 21 | 31 | 40 | 54 | 64 | 74 | 83 | 94 | 96 |
| Wattage Label | | 20 | 30 | 40 | 50 | 60 | 70 | 80 | 90 | 100 |
| Current @ 120V (A) | | 0.18 | 0.26 | 0.34 | 0.45 | 0.53 | 0.62 | 0.70 | 0.78 | 0.80 |
| Current @ 277V (A) | | -- | 0.12 | 0.15 | 0.21 | 0.24 | 0.28 | 0.31 | 0.35 | 0.35 |
| Current @ 347V (A) | | -- | 0.10 | 0.13 | 0.16 | 0.19 | 0.22 | 0.24 | 0.28 | 0.28 |
| Current @ 480V (A) | | -- | 0.07 | 0.09 | 0.13 | 0.14 | 0.17 | 0.18 | 0.21 | 0.21 |
| Optics | | | | | | | | | | |
| 5WQ | 4000K | 2,971 | 4,158 | 5,405 | 6,929 | 8,055 | 9,014 | 9,862 | 10,666 | 10,688 |
| | Lumens per Watt | 141 | 134 | 135 | 128 | 126 | 122 | 119 | 113 | 111 |
| | BUG Rating | B2-U0-G1 | B3-U0-G1 | B3-U0-G2 | B3-U0-G2 | B3-U0-G2 | B4-U0-G2 | B4-U0-G2 | B4-U0-G3 | B4-U0-G3 |
| | 3000K | 2,706 | 3,787 | 4,923 | 6,310 | 7,335 | 8,209 | 8,982 | 9,714 | 9,734 |
| | Lumens per Watt | 129 | 122 | 123 | 117 | 115 | 111 | 108 | 103 | 101 |
| | BUG Rating | B2-U0-G1 | B3-U0-G1 | B3-U0-G2 | B3-U0-G2 | B3-U0-G2 | B3-U0-G2 | B4-U0-G2 | B4-U0-G2 | B4-U0-G2 |
| 5WQ-A | 4000K | 2,480 | 3,471 | 4,513 | 5,786 | 6,726 | 7,525 | 8,235 | 8,905 | 8,924 |
| | Lumens per Watt | 118 | 112 | 113 | 107 | 105 | 102 | 99 | 95 | 93 |
| | BUG Rating | B1-U3-G1 | B1-U3-G2 | B2-U3-G2 | B2-U3-G2 | B2-U4-G2 | B2-U4-G3 | B2-U4-G3 | B2-U4-G3 | B2-U4-G3 |
| | 3000K | 2,259 | 3,161 | 4,110 | 5,269 | 6,125 | 6,853 | 7,499 | 8,110 | 8,128 |
| | Lumens per Watt | 108 | 102 | 103 | 98 | 96 | 93 | 90 | 86 | 85 |
| | BUG Rating | B1-U3-G1 | B1-U3-G2 | B2-U3-G2 | B2-U3-G2 | B2-U3-G2 | B2-U4-G2 | B2-U4-G3 | B2-U4-G3 | B2-U4-G3 |
| 5WQ-CL | 4000K | 2,854 | 3,995 | 5,192 | 6,658 | 7,739 | 8,660 | 9,475 | 10,248 | 10,269 |
| | Lumens per Watt | 136 | 129 | 130 | 123 | 121 | 117 | 114 | 109 | 107 |
| | BUG Rating | B2-U3-G2 | B3-U3-G2 | B3-U3-G2 | B3-U3-G3 | B3-U3-G3 | B3-U3-G3 | B4-U3-G3 | B4-U3-G3 | B4-U3-G3 |
| | 3000K | 2,599 | 3,639 | 4,730 | 6,063 | 7,048 | 7,886 | 8,630 | 9,333 | 9,352 |
| | Lumens per Watt | 124 | 117 | 118 | 112 | 110 | 107 | 104 | 99 | 97 |
| | BUG Rating | B2-U3-G1 | B3-U3-G2 | B3-U3-G2 | B3-U3-G2 | B3-U3-G3 | B3-U3-G3 | B3-U3-G3 | B3-U3-G3 | B3-U3-G3 |
| 5WQ-TL | 4000K | 2,730 | 3,821 | 4,967 | 6,368 | 7,402 | 8,283 | 9,063 | 9,802 | 9,823 |
| | Lumens per Watt | 130 | 123 | 124 | 118 | 116 | 112 | 109 | 104 | 102 |
| | BUG Rating | B2-U3-G2 | B3-U3-G2 | B3-U3-G2 | B3-U3-G3 | B3-U3-G3 | B3-U3-G3 | B3-U3-G3 | B4-U3-G3 | B4-U3-G3 |
| | 3000K | 2,486 | 3,480 | 4,524 | 5,799 | 6,741 | 7,544 | 8,254 | 8,926 | 8,945 |
| | Lumens per Watt | 118 | 112 | 113 | 107 | 105 | 102 | 99 | 95 | 93 |
| | BUG Rating | B2-U3-G2 | B2-U3-G2 | B3-U3-G2 | B3-U3-G3 | B3-U3-G3 | B3-U3-G3 | B3-U3-G3 | B3-U3-G3 | B3-U3-G3 |
| 5WQ-FP | 4000K | 2,545 | 3,563 | 4,630 | 5,938 | 6,901 | 7,722 | 8,450 | 9,140 | 9,158 |
| | Lumens per Watt | 121 | 115 | 116 | 110 | 108 | 104 | 102 | 97 | 95 |
| | BUG Rating | B1-U3-G2 | B2-U3-G2 | B2-U3-G3 | B2-U4-G3 | B3-U4-G3 | B3-U4-G3 | B3-U4-G4 | B3-U4-G4 | B3-U4-G4 |
| | 3000K | 2,318 | 3,245 | 4,217 | 5,408 | 6,285 | 7,033 | 7,696 | 8,322 | 8,340 |
| | Lumens per Watt | 110 | 105 | 105 | 100 | 98 | 95 | 93 | 89 | 87 |
| | BUG Rating | B1-U3-G2 | B2-U3-G2 | B2-U3-G3 | B2-U4-G3 | B3-U4-G3 | B3-U4-G3 | B3-U4-G3 | B3-U4-G4 | B3-U4-G4 |

NOTE: * Photometric data is reported for lower hemisphere only.

Lumen Maintenance

| Light Engine | Ambient Temperature | TM-21 Lumen Maintenance (60,000 Hours) | Theoretical L70 (Hours) |
|--------------|---------------------|---|----------------------------|
| PA1 | Up to 40°C | > 98% | > 800,000 |

Lumen Multiplier

| Ambient Temperature | Lumen Multiplier |
|---------------------|------------------|
| 0°C | 1.02 |
| 10°C | 1.01 |
| 25°C | 1.00 |
| 40°C | 0.99 |
| 50°C | 0.97 |

FADC Settings

| FADC Position | Percent of Typical Lumen Output |
|---------------|---------------------------------|
| 1 | 25% |
| 2 | 46% |
| 3 | 55% |
| 4 | 62% |
| 5 | 72% |
| 6 | 77% |
| 7 | 82% |
| 8 | 85% |
| 9 | 90% |
| 10 | 100% |

Note: +/-5% typical value